

1107 Avlug

Brass · Dome head

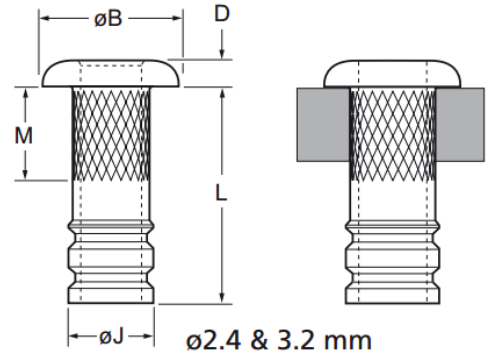
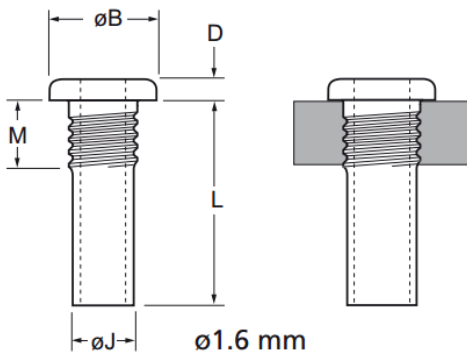
1.6 mm (1/16") - 3.2 mm (1/8")

Features

- Secure, easy-to-solder terminal posts for PCBs
- Rolled/knurlled shank ensures secure placement in the PCB
- Suitable for wire wrapping or a test point for CRO tubes
- Available with diameters as small as 1.6 mm for assembly of smaller component

Material

- Brass, tin plated*



Part No.	Size ø	Hole Size		øB	D	L	øJ	M	No. of Grooves	Fasteners per pod
		min.	max.							
01107-00205	1.6 (1/16")	1.80	1.93	2.80	0.61	4.11	1.79	2.04	4	62
01107-00208						6.51				42
01107-00310	2.4 (3/32")	2.62	2.74	4.15	0.94	8.36	2.60	3.43	2	33
01107-00312						9.96			3	28
01107-00412	3.2 (1/8")	3.38	3.51	5.52	1.15	9.96	3.36	3.43	3	26

* We recommend tin plated parts 1107 Series are installed within 9 months from the date they were produced

Assembly Applications

- Terminal posts
- Wire wrap

